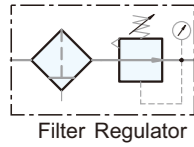


Symbol



Features

1. For high pressure use, corrosion and chemical resistance.
2. Good performance for outdoor facility.
3. Suitable for semi-conductor industry.
4. The product effectively removes water and particle.
5. Accurate and sensitive pressure setting.



Patent number in China : ZL200620055734.0

How to order

USFR	B	—	O2	N	C	H	W
Stainless Steel Filter Regulator	Pressure		Port size	Thread	Filtration	Drain	Bowl viewer
	Blank : 12~30kgf/cm ² (for 1/4", 3/8", 1/2") 12~28kgf/cm ² (for 3/4", 1")		02 : 1/4" 03 : 3/8" 04 : 1/2" 06 : 3/4" 08 : 1"	Blank : G N : NPT R : Rc	Blank : 5µm C : 40µm	Blank : Semi-auto drain H : Manual drain D : Auto drain (Working pressure: 0.5~9.9 kgf/cm ²)	Blank : W/O Viewer W : Viewer (for 3/4", 1") (See *Remark below)
	B : 0.5~12kgf/cm ²						

Please contact our sales for non-relieving type.

*For non-relieving type, the secondary pressure is not allowed to be exhausted when it is higher than setting pressure.

*Remark: Only for USFRB (0.5~12 kgf/cm²).

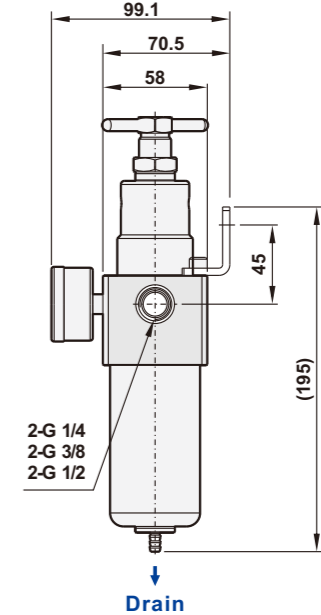
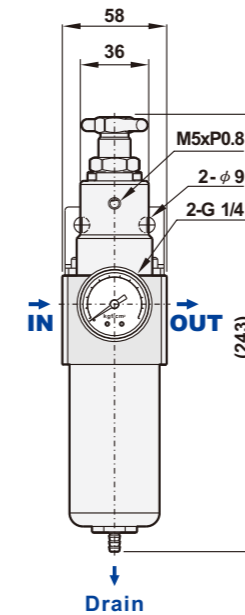
*Spring: USFRB = SUS303
USFR = Alloy steel

Specifications

Model	USFR-02	USFR-03	USFR-04	USFR-06	USFR-08
Port size	1/4"	3/8"	1/2"	3/4"	1"
Fluid	Compressed air				
Regulator construction	Piston				
Body material	Stainless steel SUS316				
Bowl material	Stainless steel SUS316				
Pressure gauge material	Case: Stainless steel SUS304, Thread: Stainless steel SUS316				
Filtration/Element material	5µm (Standard) Stainless steel SUS316				
Operating pressure range	USFRB: 0.5 ~ 12 kgf/cm ² USFR: 12 ~ 30 kgf/cm ²		USFRB: 0.5 ~ 12 kgf/cm ² USFR: 12 ~ 28 kgf/cm ²		
Max. inlet pressure	60 kgf/cm ² (Bowl viewer: 15 kgf/cm ²)				
Max. flow rate l/min (ANR)	2200	2500	3800	B8500/17000	B8900/21000
Ambient temperature	-10°C ~ 70°C				
Filter bowl capacity	110cc			200cc	
Standard drain	Semi-auto drain (Drains below 0.5kgf/cm ²)				
Net weight	2000g			4580g	
Accessories	Pressure gauge(0~20kg), Plug, Mounting bracket set				
Option	Pressure gauge (0~10kg), Pressure gauge (0~30kg)				

Dimensions

USFR-02, 03, 04



USFR-06, 08

